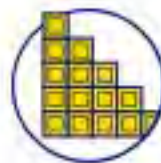


THREADED RODS SC-R™

Tailor made FRP solutions
for an array of industries
since 2004



STAIRCAREFRP
COMPOSITE DESIGN & FABRICATION



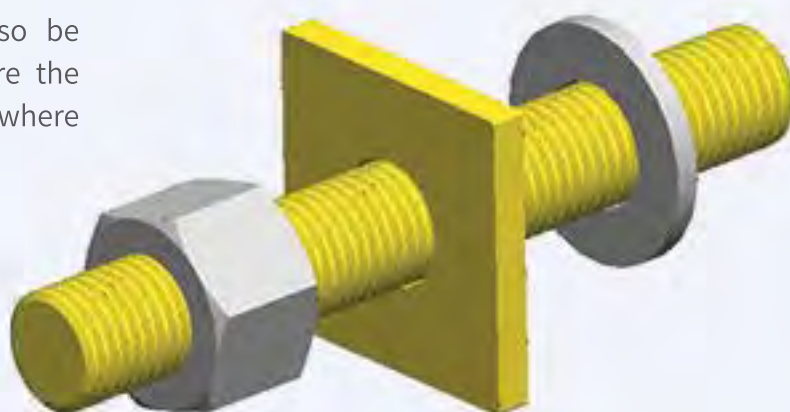
Staircare FRP Product Applications For Railway Environments

Staircare SC-R™ is the registered trade name for our FRP products and fabrication service.

Threaded Rods

Staircare threaded rods, Ut and washer, made from Glass-Fibre reinforced epoxy resin, are electrical insulators and non-magnetic.

The metric screw thread rods are available in the standard length of 200 mm and can also be supplied cut to size. FRP fixing systems are the ideal solution for the many applications where di-electricity and high corrosion.



Threaded Rods FRP Advantages

Dielectric

FRP products are transparent to radio waves, micro-waves and other electromagnetic frequencies

Resistant to corrosion

FRP products are not susceptible to rusting, peeling nor flaking and are impervious to a broad range of corrosive elements

High axial resistance

Light weight

Average 15% to 20% that of steel products

Non-conductive

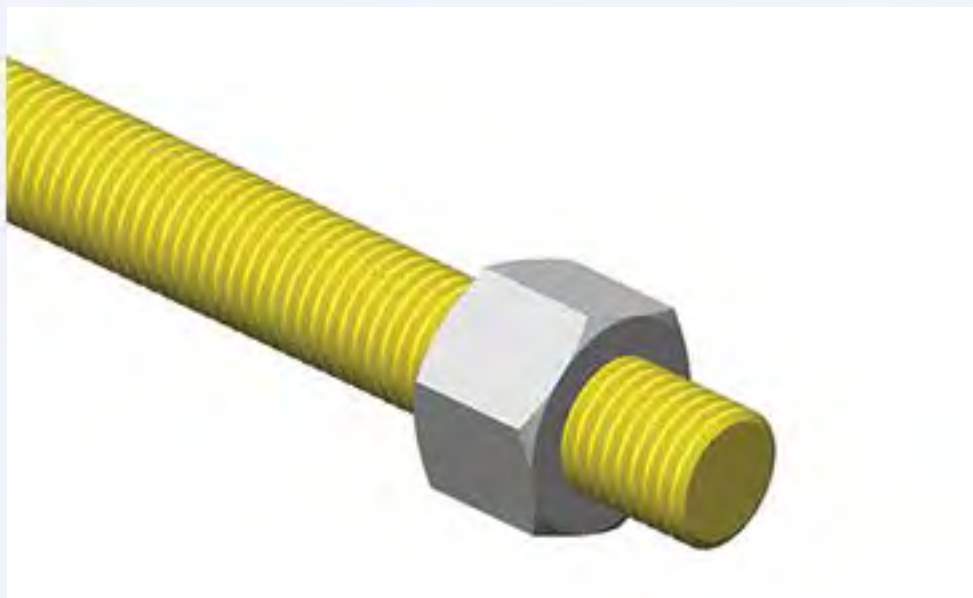
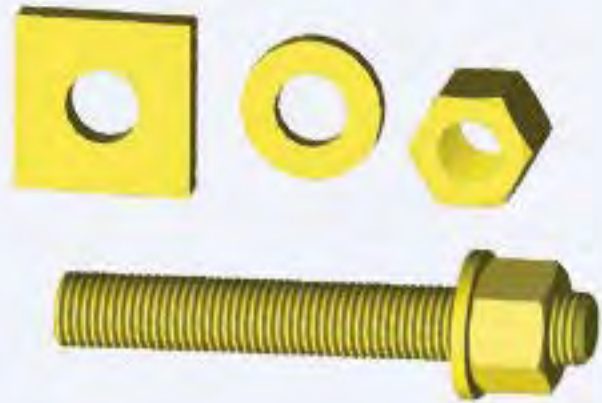
FRP have low thermal conductivity and are non-conductive.

Low temperature

FRP has excellent mechanical properties at low temperatures

Dimensional stability

The coefficient of thermal expansion of FRP products are marginally less than steel and aluminum



COLOR	Name	
■	Light Gray RAL7035	Standard Threaded rods colors are light gray, yellow. Custom colors available
■	Signal Yellow RAL 1003	

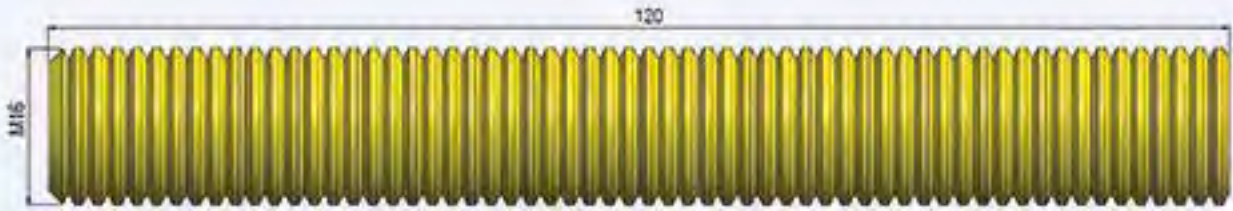


Threaded Rods FRP Technical parameter

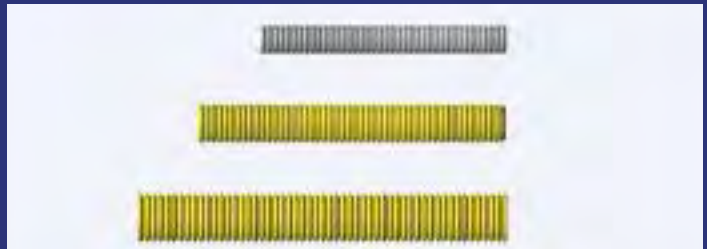


NO	Technical Specification	Unit	Specification Value
1	Density(at 20 C°±2 C°)	g/cm ²	≥2.2
2	Water absorption rate (at 20 C°±2 C°,24h)	%	≥0.05
3	Tensile Strength	MPa	≥1200
4	Bending Strength	MPa	≥960
5	Dye Penetrated Test	Min	≥15
6	Water diffusion test(1%NaCl, Boiling for 100h 12Kv/1Min)	mA	≥0.1
7	Shearing strength along laminas	MPa	≥50
8	Volume resistivity (140 C°,96h)	Ω.M	≥10 ¹⁰
9	DC withstand voltage (10mm)	Kv	≥50
10	Lighting surge withstand voltage (100Kv, 10mm)	Times	≥5
11	Bending strength at heating conditions	MPa/150 C°	≥350

RODS



Size	STANDARD LENGTH
M12	120mm
M16	120mm
M20	120mm



NUTS

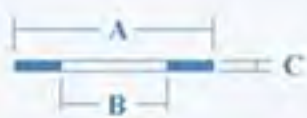


Size	SW	H=D/2D	e 2
M12	19	12/24	21.9
M16	24	16/32	27.7
M20	30	20/40	34.6

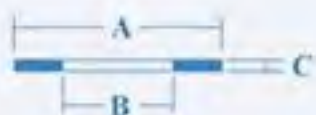
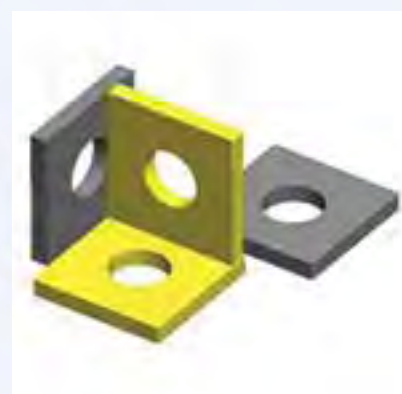


WASHER

Size	A	B	C
M12	27	14	2.5±0.4
M16	32	18	3±0.5
M20	40	22	3±0.5



Size	A	B	C
M12	30	13	4
M16	50	17	5
M20	50	21	5



FRP Composites Fabrication Service, Profile and Grating Sales



staircare Australia Pty Ltd

📍 2/84 old pittwater Road, Brookvale NSW 2100, Australia
☎ +61 (2) 9939 3838

🌐 www.staircare-frp.com.au
✉ info@staircare-frp.com.au